






PROJECT	FIRM	ORDER #	TYPE	QTY
---------	------	---------	------	-----

## Specifications

<b>Emitters</b>	2100K, 2400K, 2700K, 3000K, 3500K, 4000K, Red, Green, Blue, Amber
<b>Optics</b>	10° x 10°, 10° x 25°, 10° x 40°, 10° x 60°, 30° x 30°, 30° x 60°, 40° x 10°, 45° x 75°, 60° x 10°, 60° x 30°, 60° x 60°, 90° x 10°, 100° x 100°, Asymmetric Wall Wash: Left or Right (60° x 60°, 20° tilt - see page 8), Batwing (split 10° x 40° or 40° x 70°)
<b>Lumen maintenance</b>	L <sub>70</sub> 150,000 hours (@ 25° C)
<b>Control</b>	0-100% dimming via internal 0-10V driver; maximum 300' (91m) 0-10V cable run (18AWG) <i>Fixture will default to 100% (on/off) output if the control input is absent (see page 11).</i>
<b>Maximum fixtures in series</b>	80 linear feet (24m). See page 11
<b>Housing lengths</b>	1' (305mm) or 4' (1220mm)
<b>Operating voltage</b>	100-277VAC, 50/60 Hz
<b>Power consumption</b>	<b>HO:</b> 1': 12W, 4': 48W, <b>SO:</b> 1': 8W, 4': 32W, <b>EO:</b> 1': 4W, 4': 16W
<b>Fixture connectors</b>	IP66 end-to-end multi-pin connection cables included
<b>Mounting</b>	90° swivel mounting brackets included, flat mounting brackets optional
<b>Material</b>	Aluminum body - Type III hard-coat anodized, polycarbonate lenses
<b>Finish</b>	Silver / finished aluminum, marine and natatorium environment capability standard
<b>Ambient operating temp.</b>	-40° F to 131° F (-40° C to 55° C)
<b>Ingress protection</b>	IP66, wet location - marine environment housing standard
<b>Impact protection</b>	IK10, protection against 20 joule impact (40cm distance)
<b>Vibration protection</b>	ANSI C136.31, 3G-rated for high vibration and bridge applications
<b>Warranty</b>	5 years, limited
<b>Weight</b>	1': 2.4 lbs (1.1kg), 4': 9.7 lbs (4.4kg)
<b>Dimensions</b>	<b>LxWxH:</b> 12" or 48" x 2.12" x 3.39" (305 or 1220 x 54 x 86mm). See also page 5
<b>Certifications</b>	  

## Photometrics

For all available IES files, please visit [acclaimlighting.com/linear-one-exterior](http://acclaimlighting.com/linear-one-exterior)

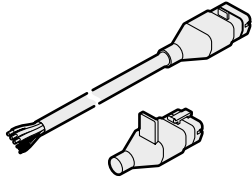
Color temperature	Lumens (/ft)	Max Candela	Efficacy (lm/W)	CRI	TM30
2700K (HO - 12W/ft)	739	5,643	63	81.1	81.2
3000K (HO - 12W/ft)	788	6,291	67	82.8	81.3
3500K (HO - 12W/ft)	772	5,897	66	84.3	82.6
4000K (HO - 12W/ft)	770	5,790	65	85.4	83.2
2700K (EO - 4W/ft)	252	1,881	63	80.1	80.2
3000K (EO - 4W/ft)	268	2,097	67	82.3	81.1
3500K (EO - 4W/ft)	264	1,965	66	84.4	82.7
4000K (EO - 4W/ft)	260	1,930	65	85.3	84.2

PROJECT	FIRM	ORDER #	TYPE	QTY
---------	------	---------	------	-----

## Related components

### Cable and connectors

#### Feed cables and end cap (required)

**LNFC10**

10' Feed Cable

*Multi-pin connector to bare wire AC + 0-10V*

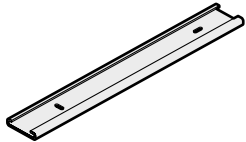
**LNFC50**

50' Feed Cable

*Multi-pin connector to bare wire AC + 0-10V*

### Mounting accessories

#### Tracks

**LNMT1**

1' mounting track

*Aluminum profile, screws not included*

**LNMT4**

4' mounting track

*Aluminum profile, screws not included*

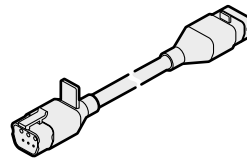
#### Flat brackets

**LNFBM**

Flat Mounting Bracket

*2 pcs required per fixture, factory fitted option*

#### Link cables (optional)

**LNLC0**

6" Link Cable

*Multi-pin connector to multi-pin connector, use for curved runs*

**LNLC1**

1' Link Cable

*Multi-pin connector to multi-pin connector*

**LNLC5**

5' Link Cable

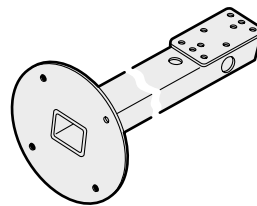
*Multi-pin connector to multi-pin connector*

**LNLC10**

10' Link Cable

*Multi-pin connector to multi-pin connector*

#### Extender bars

**LNEB0.5**

6" extender bar

*Aluminum body, mounting screws included*

**LNEB1**

1' extender bar

*Aluminum body, mounting screws included*

**LNEB2**

2' extender bar

*Aluminum body, mounting screws included*

**LNEB3**

3' extender bar

*Aluminum body, mounting screws included*

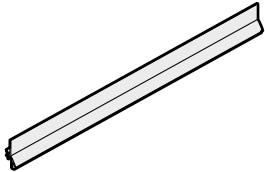


PROJECT	FIRM	ORDER #	TYPE	QTY
---------	------	---------	------	-----

## Related components

### Beam accessories

#### Glare shields

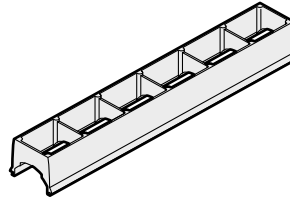
**LNEGS1**

1' single-sided glare shield

**LNEGS4**

4' single-sided glare shield

#### Louvers

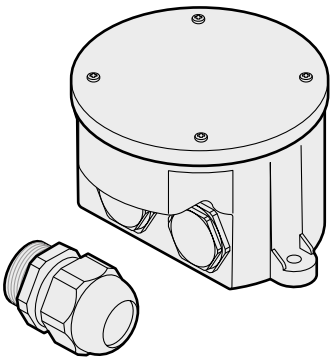
**LNELV1**

1' full louver

(use 4 pcs. for 4' fixtures)

### Junction boxes

#### AJBOX1 (IP66) junction box (plus outlet cable gland)

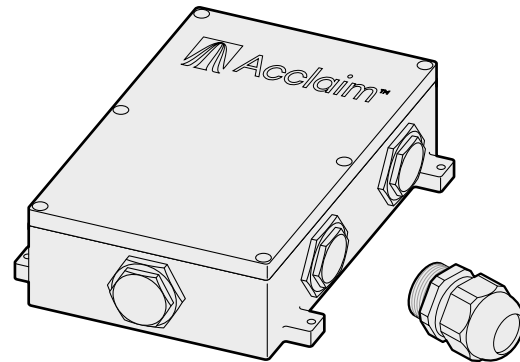


Part #

**AJBOX1**

IP66 NEC compliant high+low voltage junction box  
1/2" conduit inputs for AC + 0-10V, 3/4" conduit for LNFC##  
Built-in AC surge protection up to 10kV & 10kA

#### AJBOX1 Extended (IP66) junction box (plus outlet cable gland)



Part #

**AJBOX1E#**

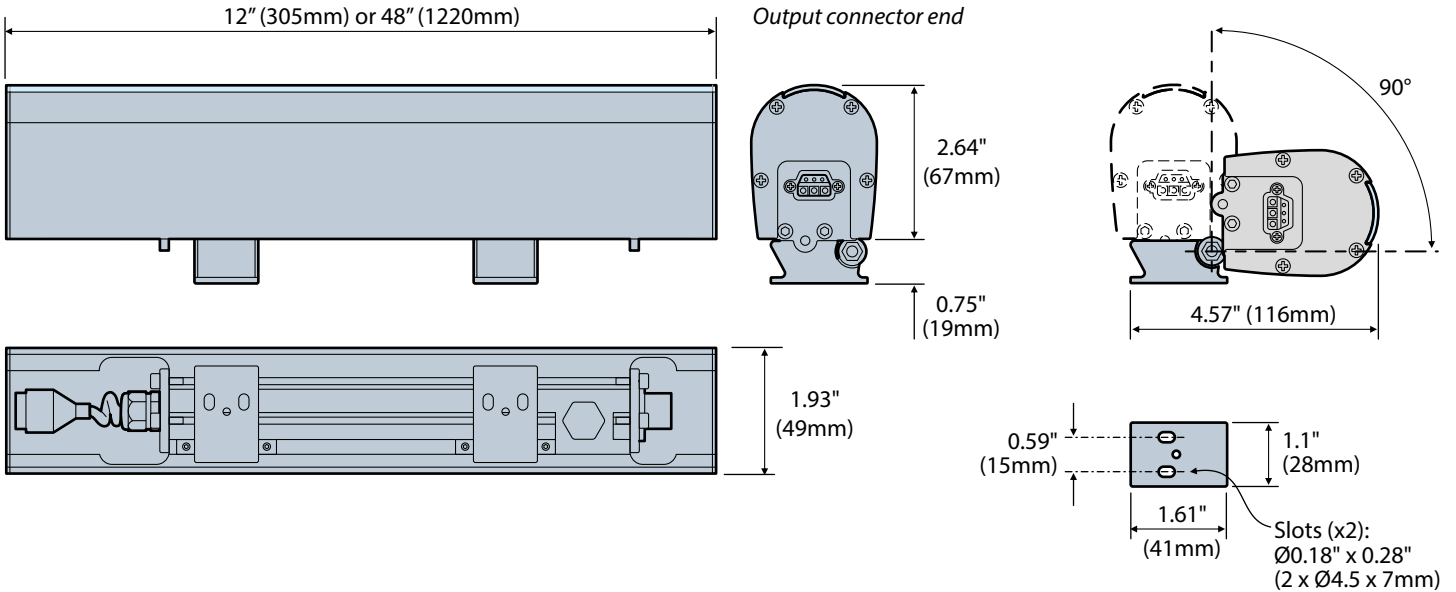
(# = color)

IP66 NEC-compliant high and low voltage junction box with  
six sealed NPT 3/4" access ports for conduit fixtures or cable  
glands for AC + 0-10V, 3/4" conduit for LNFC##. Built-in  
AC surge protection up to 10kV and 10kA

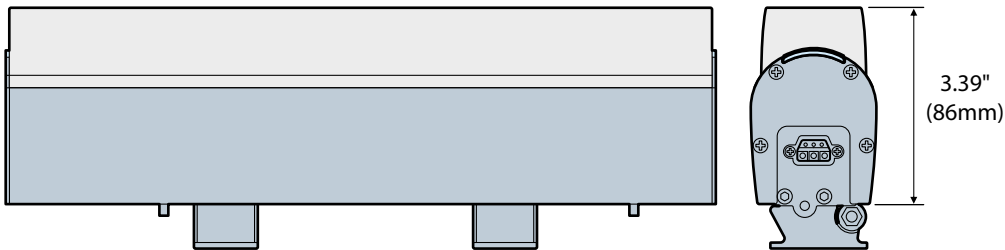


PROJECT  FIRM  ORDER #  TYPE  QTY

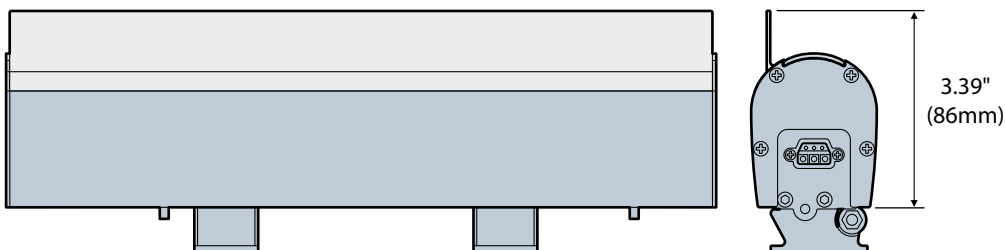
## Dimensions



### With louver fitted



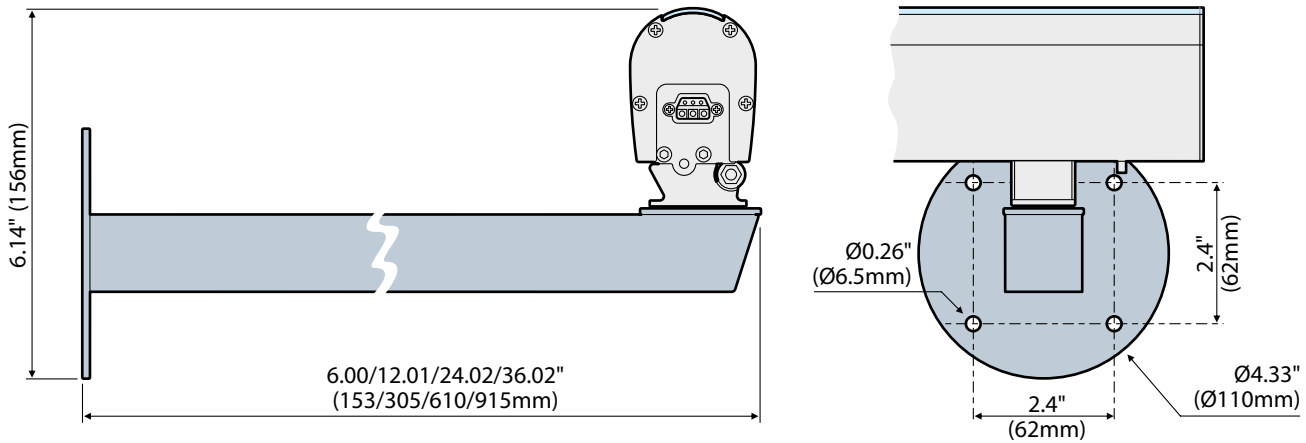
### With glare shield fitted



PROJECT \_\_\_\_\_ FIRM \_\_\_\_\_ ORDER # \_\_\_\_\_ TYPE \_\_\_\_\_ QTY \_\_\_\_\_

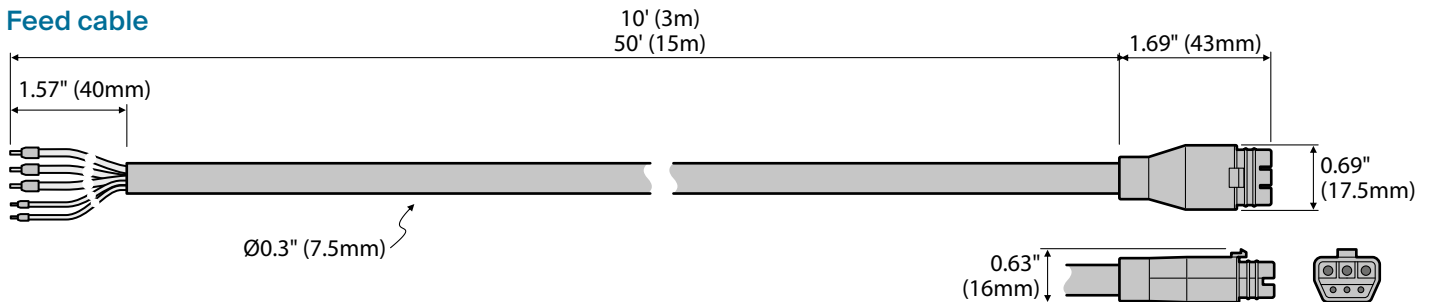
## Dimensions

### Optional extender bars

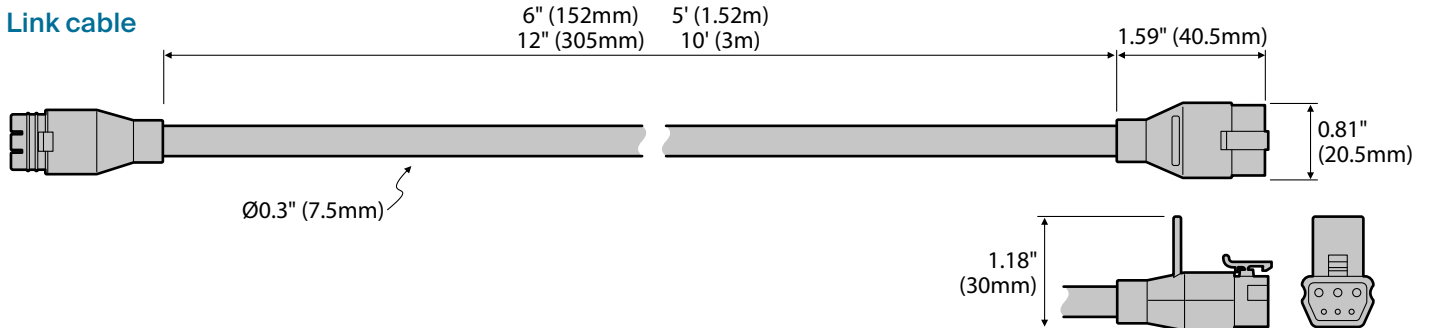


### Cables

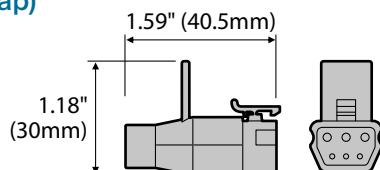
#### Feed cable



#### Link cable



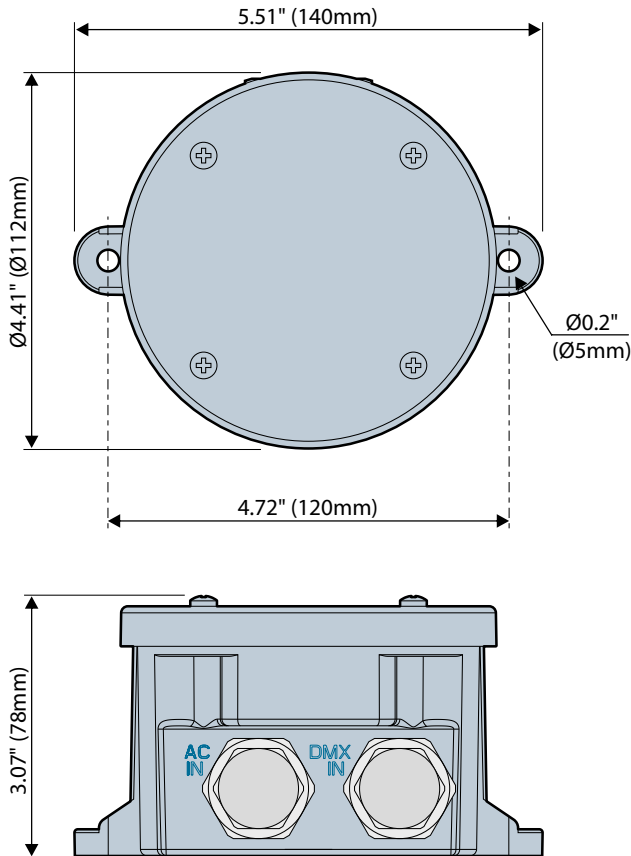
#### Terminator (end cap)



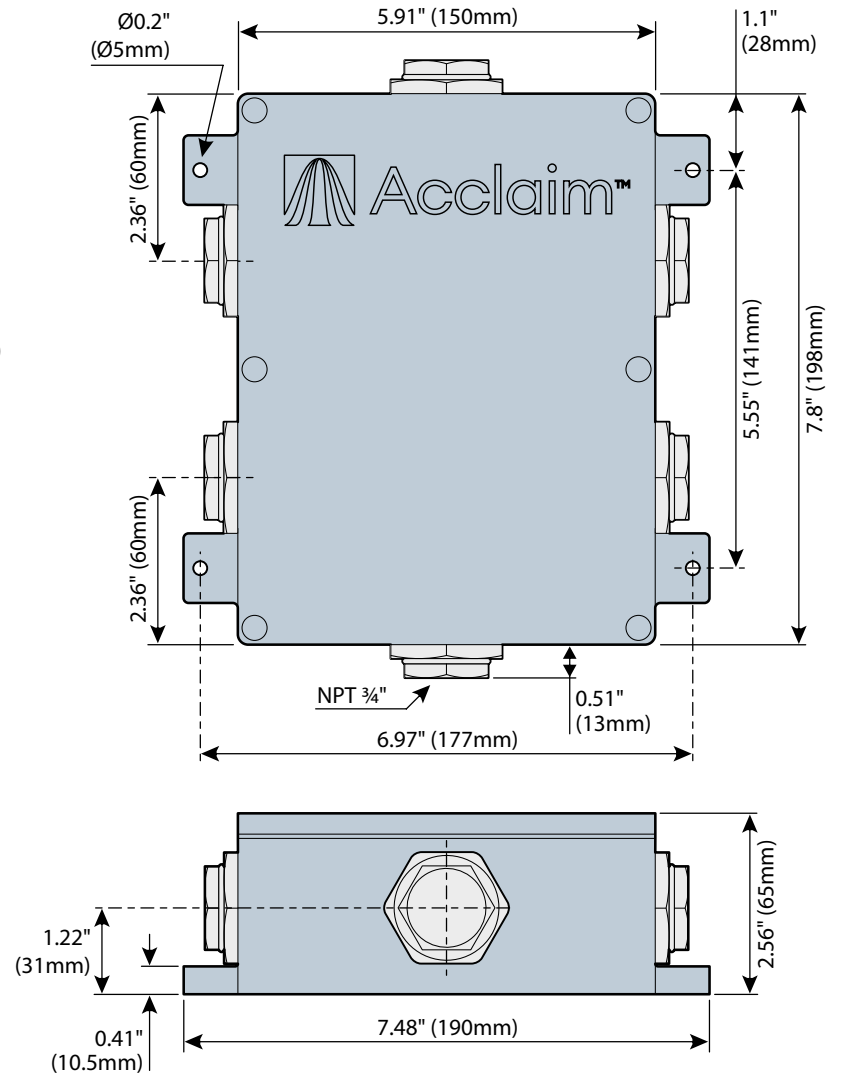
PROJECT	FIRM	ORDER #	TYPE	QTY
---------	------	---------	------	-----

## Dimensions

AJBOX1



AJBOX1 Extended

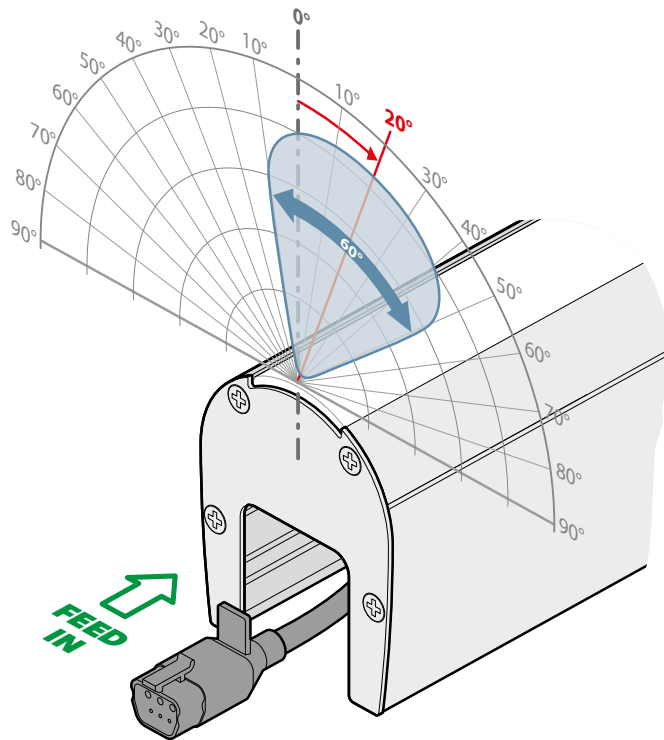
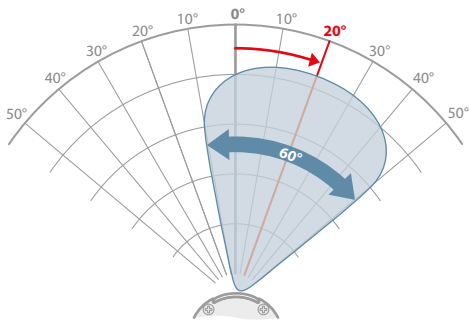


PROJECT	FIRM	ORDER #	TYPE	QTY
---------	------	---------	------	-----

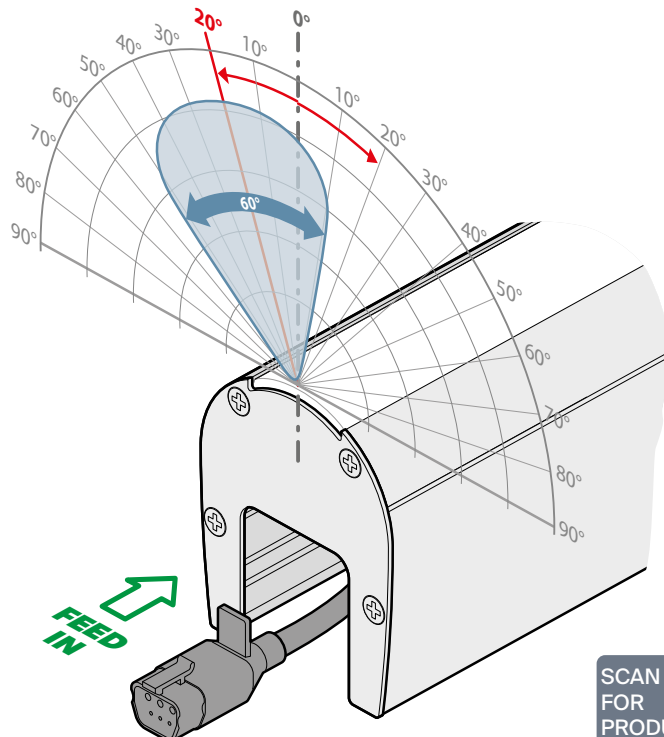
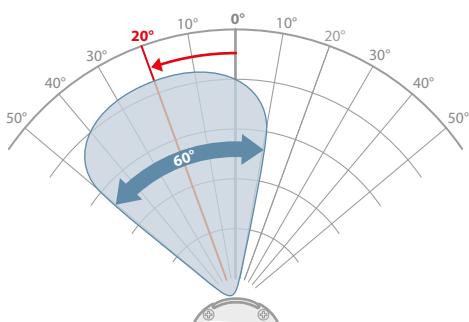
## Asymmetric wall wash lens options

Two special lens options are available, both of which provide a 20 degree side-bias to the direction of the emitted output. Both lens options produce a 60 x 60 degree main beam angle; the difference is whether those beams are biased to the left or to the right of the fixture, in relation to the feed in connection.

### Asymmetric Wall Wash Right (60° x 60° with 20° tilt)



### Asymmetric Wall Wash Left (60° x 60° with 20° tilt)

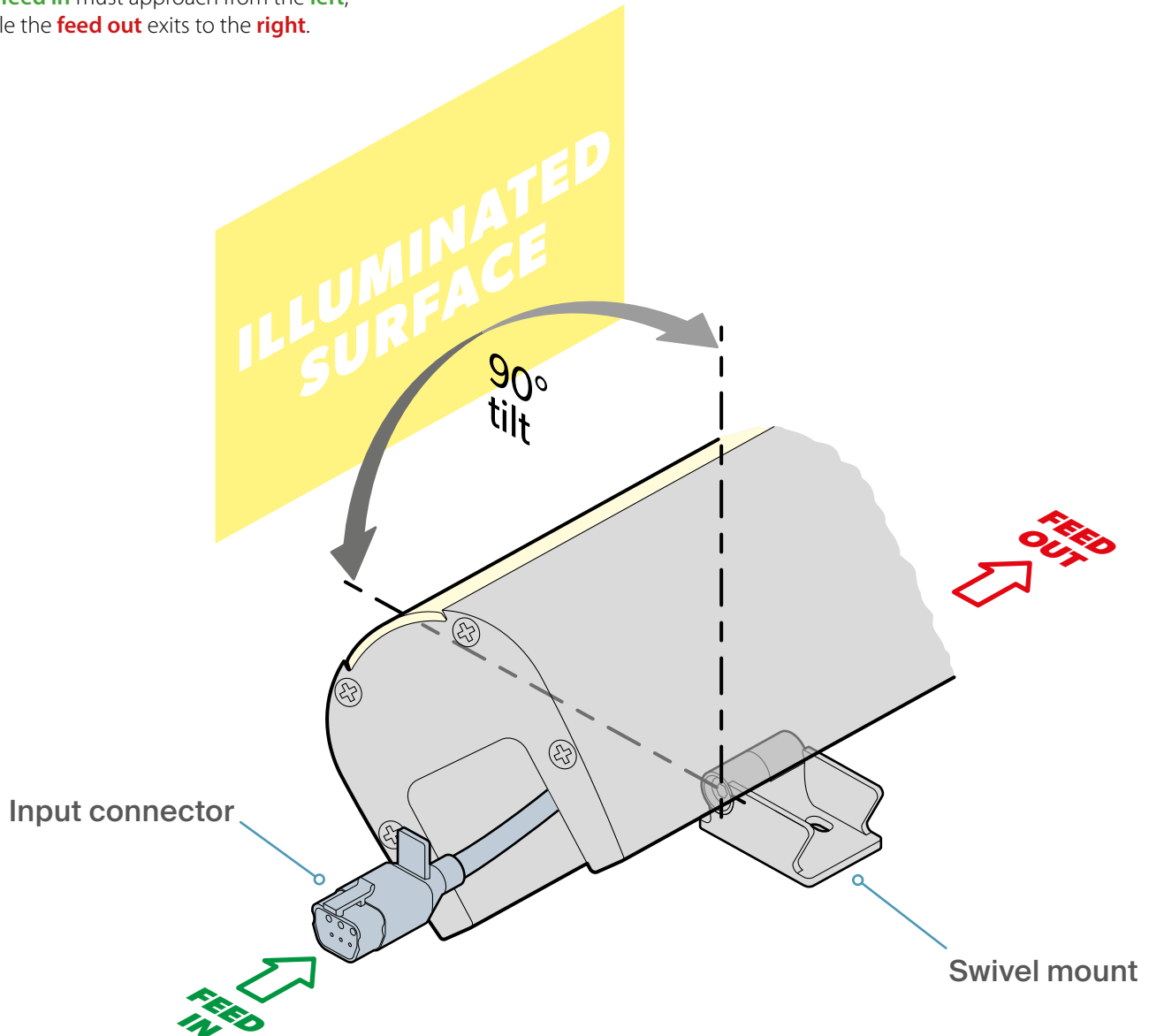


PROJECT	FIRM	ORDER #	TYPE	QTY
---------	------	---------	------	-----

## Swivel and feed directions

The swivel mounts on the fixture offer a full 90 degrees of rotation - in one direction only. When planning installations that require the fixtures to be tilted, it is important to correctly arrange the input and output connections:

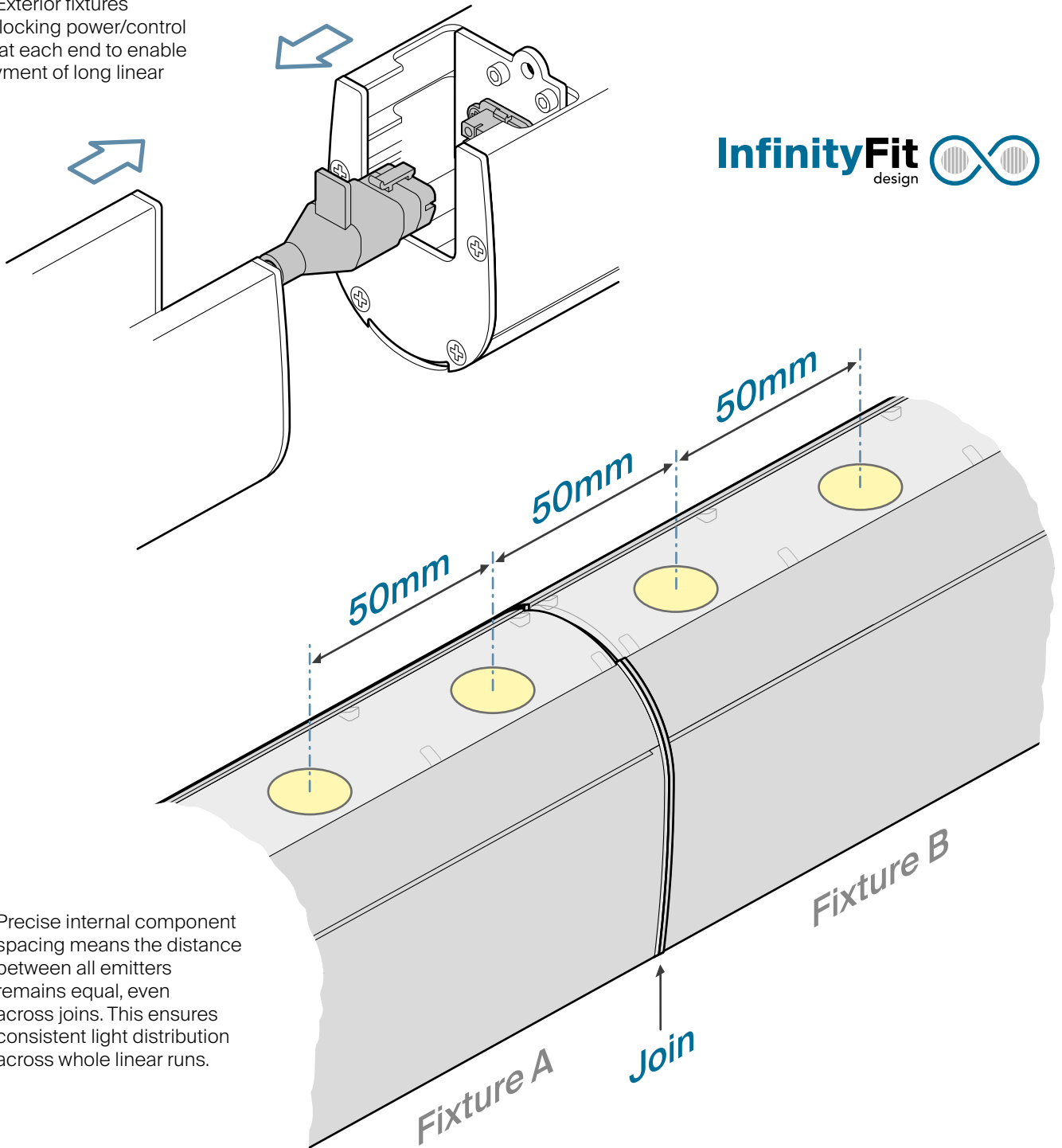
- When facing the illuminated surface, the **feed in** must approach from the **left**, while the **feed out** exits to the **right**.



PROJECT	FIRM	ORDER #	TYPE	QTY
---------	------	---------	------	-----

## Seamless interconnections

Linear One Exterior fixtures feature interlocking power/control connectors at each end to enable rapid deployment of long linear runs.



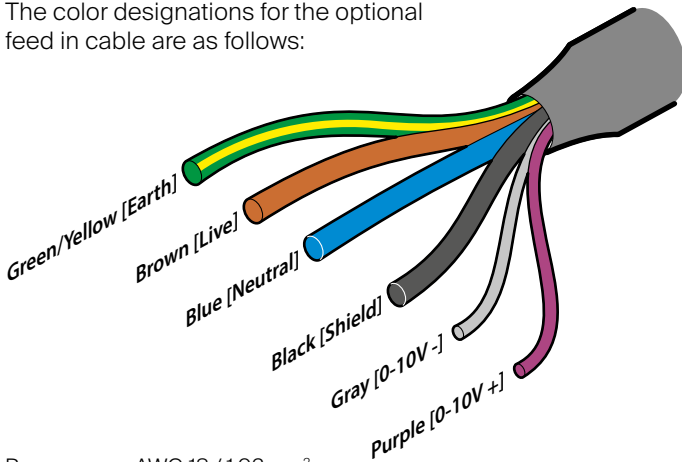
Precise internal component spacing means the distance between all emitters remains equal, even across joins. This ensures consistent light distribution across whole linear runs.

PROJECT \_\_\_\_\_ FIRM \_\_\_\_\_ ORDER # \_\_\_\_\_ TYPE \_\_\_\_\_ QTY \_\_\_\_\_

## Power and control wiring

Power and control are combined within IP66-rated cables. Input and output connectors are proprietary six pin designs; with a male input connector located at one end of the fixture and a female output connector at the other. Connector placements are such that abutted units can be directly connected without need for additional cables.

The color designations for the optional feed in cable are as follows:



Power cores: AWG 18 / 1.02mm<sup>2</sup>  
Signal cores: AWG 26 / 0.13mm<sup>2</sup>

### Power

The fixture power requirements are as follows:

- Voltage: 100-277VAC 50/60Hz
- Power:
 

	HO	SO	EO
1' models:	12W	8W	4W
4' models:	48W	32W	16W

*Note: Acclaim recommends taking proper precautions for external surge protection, as control and power electronics can be damaged by major events. Ensure that the mains power is supplied from a suitably protected source and initial connections are made within IP rated enclosures.*

## Behavior if the control signal is lost or not applied

When the control signal is lost (or not used), each fixture will go to full output until the control signal is restored. If 100% output is required at all times during normal operation, this feature allows the fixtures to be fed with power only, without need for a control input.

For full installation details, please refer to the **user guide**, available for free download here:



## Run lengths

Fixture runs (of all power models: HO/SO/EO) should not exceed 80' (24m). Maximum total lengths of all feed and link cables are determined by the power models and the mains supply voltage.

