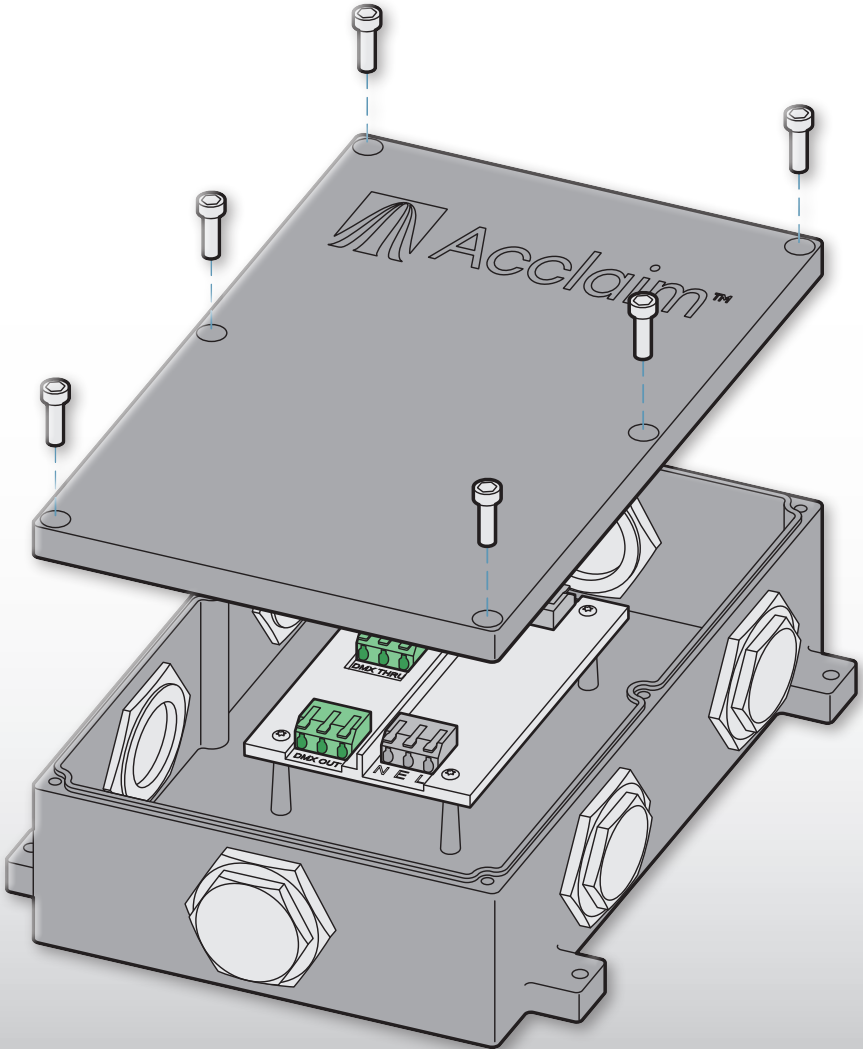




Acclaim™



AJBOX1 Extended

User guide

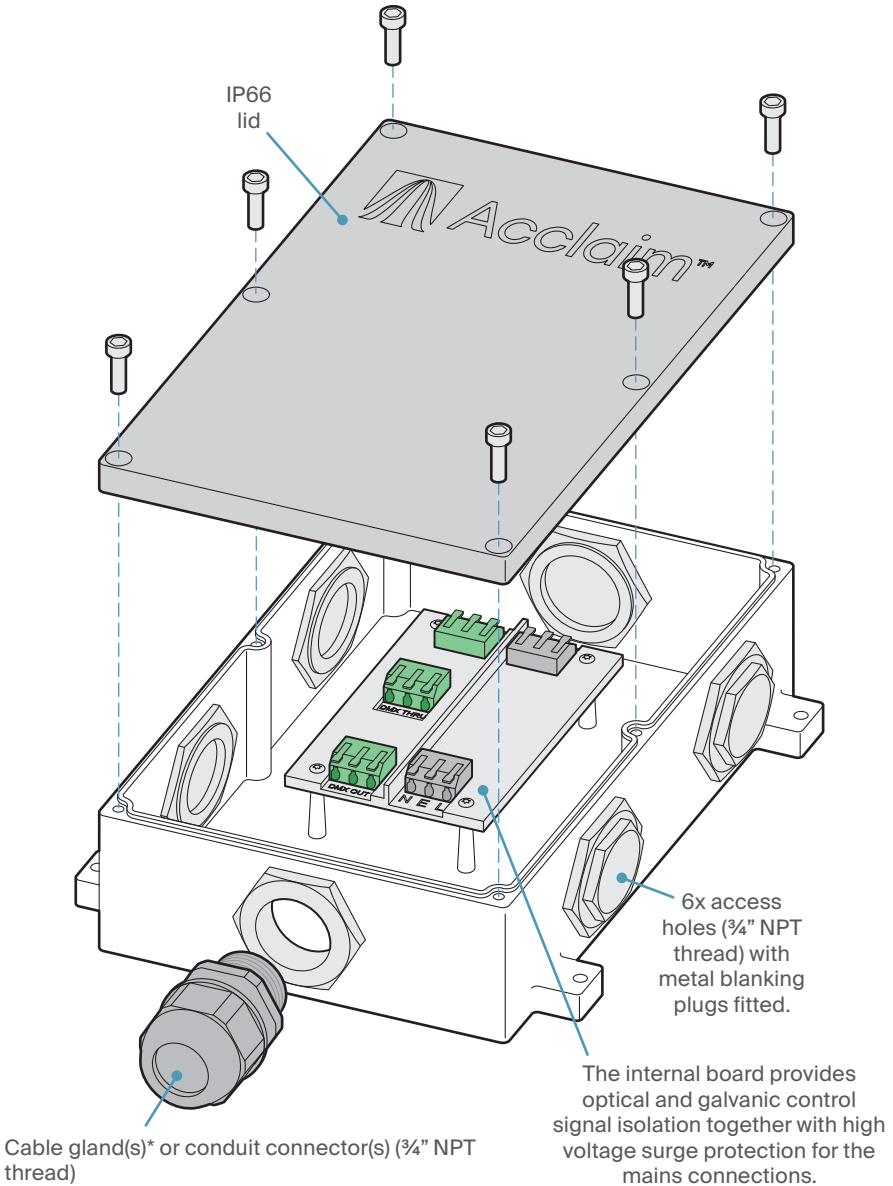
Contents

Introduction.....	2
Welcome	2
Part code	3
Important notes	3
Recommended data cables	3
Installation.....	4
Connecting	4
Further information.....	6
Specifications	6
Dimensions	7
Limited product warranty	8

Introduction

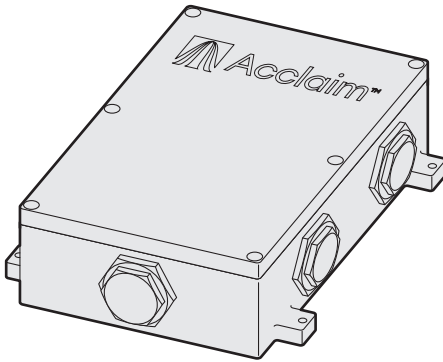
Welcome

The Acclaim Lighting AJBOX1 Extended is an NEC-compliant high and low voltage junction box which offers DMX isolation and power surge protection within a sturdy IP66-rated aluminum alloy casing:



* One cable gland is provided with each AJBOX1 Extended. Additional glands, such as p/n 5308 922 from Altech Corp. are available from other suppliers.

Part code



IP66 junction box
[AJBOX1E]

Important notes

Please note the following points when planning and implementing an installation:

- We recommend taking proper precautions for external surge protection, as control and power electronics can be damaged by major events.
- Ensure that:
 - the mains input is derived from a suitable overload-protected supply.
 - all cable access points, plus the enclosure cover are correctly sealed.
 - all local codes are followed during planning and installation.
 - connections are made, inspected and certified by a qualified electrician.

Recommended data cables

By others, please consult local requirements:

- Indoor exposed or inside conduit above grade Belden 9842
- Indoor plenum Belden 82842
- Outdoor exposed, direct burial, or inside conduit below grade Belden 3107DB

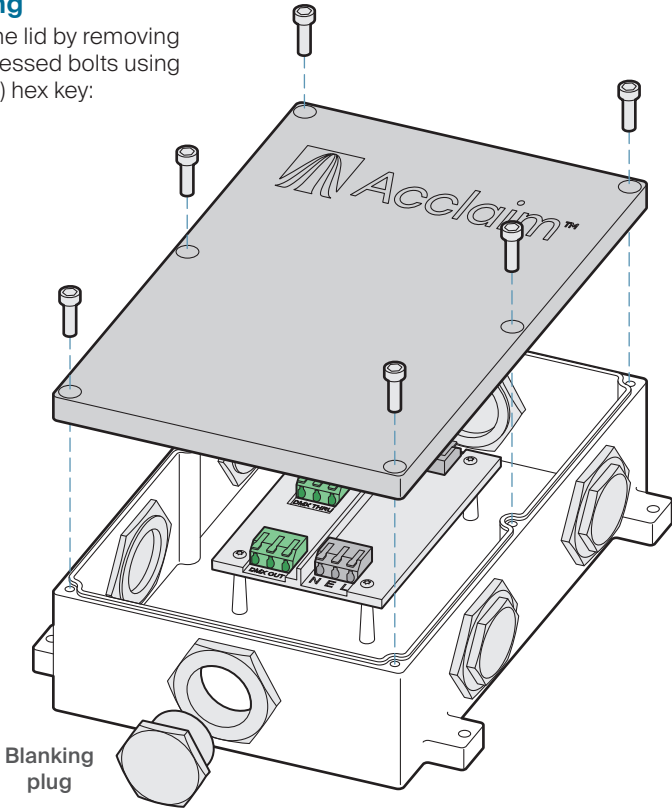
Suitable alternative cables must meet all of the following requirements:

- Construction: Shielded, twisted pair (or multi-pair).
- Impedance: Between 90 and 120Ω.
- Capacitance: 15pF or less.

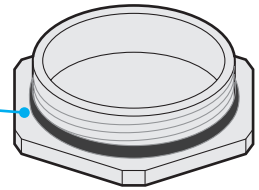
Installation

Connecting

- 1 Remove the lid by removing the six recessed bolts using a $\frac{1}{8}$ " (3mm) hex key:

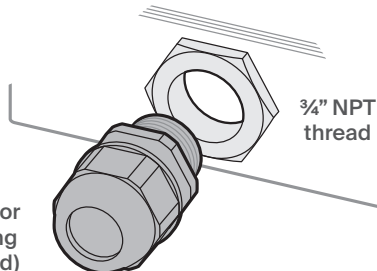


- 2 Remove one or more of the six blanking plugs, as required, using a $1\frac{1}{16}$ " (30mm) spanner.
- 3 If required, gently prise off the rubber seals from the blanking plugs using a small flat blade screwdriver in order to install them on the cable glands/conduit fittings that you're using:



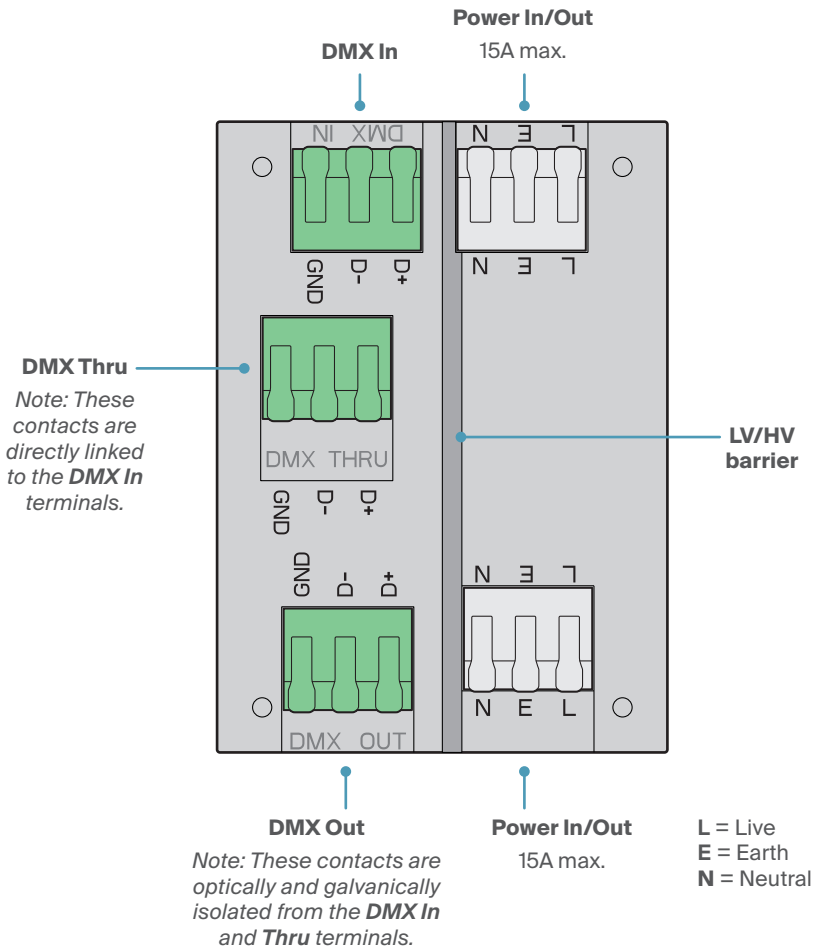
- 4 Add cable gland(s) or conduit fitting(s) as required ($\frac{3}{4}$ " NPT thread):
- 5 Feed in your power and DMX cables.

Cable gland or conduit fitting (one provided)



6 Connect your DMX control lines:



- Attach your control input to the green **DMX In** connector block.
- Optionally use the green **DMX Thru** connector block to continue your control run to other local devices. *Note: These contacts are directly linked to the DMX In connector block, they are NOT isolated.*
- Attach your main control output line to the green **DMX Out** connector block. These contacts are optically and galvanically isolated from the DMX In/Thru contacts while permitting DMX signals up to a full 44 frames per second to pass. *Note: RDM is not supported.*



- 7 Connect a mains input to either of the two gray power connector blocks. A power input of 100-277VAC (50/60Hz) is required to energize the DMX isolation circuitry.
- 8 If required, connect a power output cable to the other gray connector. A maximum of 15A can pass between the two power connectors.
- 9 Refit and tighten the lid, while ensuring the lid's rubber seal is correctly in place.

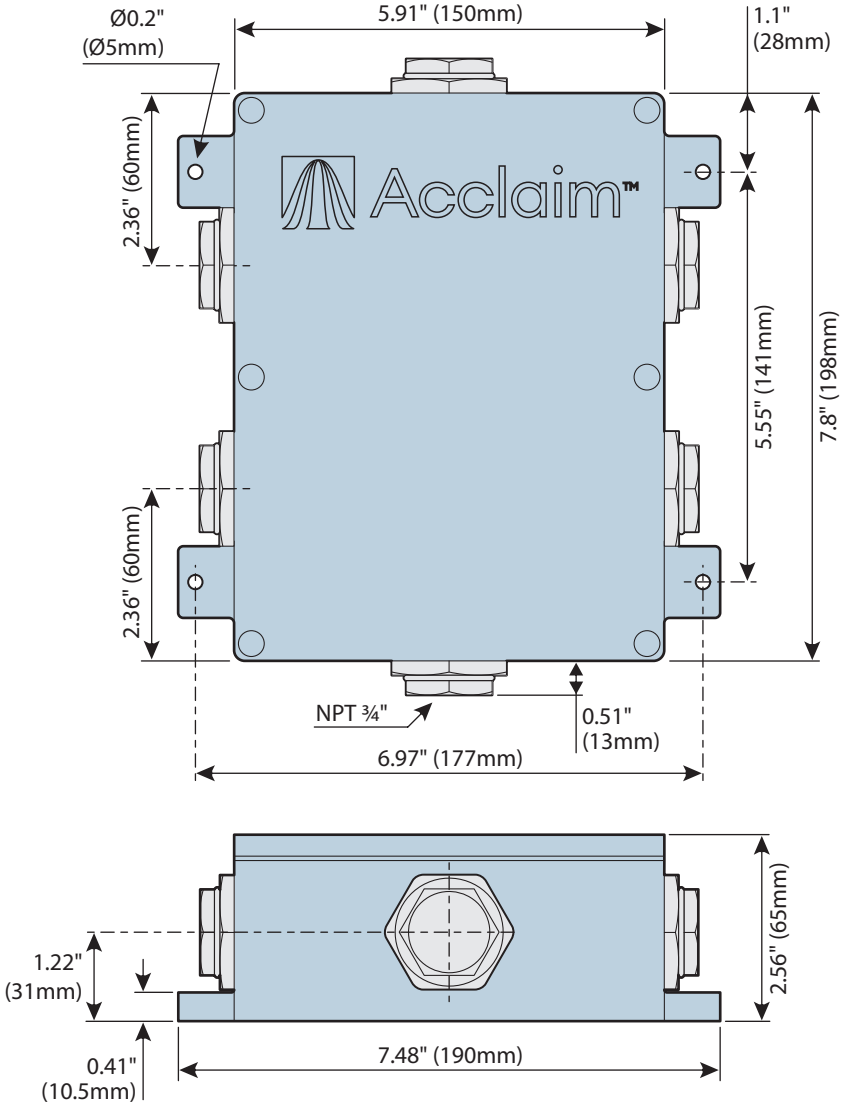
Further information

Specifications

Cable ports	Six ¾" NPT outlets with blanking plugs
Control connections	DMX In: 3-way green connector block DMX Thru: 3-way green connector block linked directly to the DMX In contacts DMX Out: 3-way green connector block optically and galvanically isolated from the DMX In/Thru contacts
Maximum conductor size	12 AWG
Input voltage	100–277VAC
Maximum connection current	15A
Maximum total line power	120VAC: 1,800W 230VAC: 3,450W 277VAC: 4,155W
Internal surge protection	5kA, 10kV
IP rating	IP66, wet location
Ambient temperature range	-40°F to 122°F (-40°C to 50°C)
Weight	5.07 lbs (2.3 kg)
Certifications	 



Dimensions



Limited product warranty

A. Acclaim Lighting™ hereby warrants, to the original purchaser, Acclaim Lighting finished products to be free of manufacturing defects in material and workmanship for a standard period of:

- Fixtures: 5 Years (1,825 days) from the date of purchase.
- Drivers, power supplies and accessories: 5 Years (1,825 days) from the date of purchase.
- Flex Products: 3 Years (1,095 days) from the date of purchase.
- Controllers: 2 Years (730 days) from the date of purchase.

It is the owner's responsibility to establish the date and place of purchase and warranty terms by acceptable evidence, at the time service is sought.

B. For warranty service, send the product only to the Acclaim factory. All shipping charges must be pre-paid. If the requested repairs or service (including parts replacement) are within the terms of this warranty, Acclaim Lighting will pay return shipping charges only to a designated point within the United States. If the entire instrument is sent, it must be shipped in its original package. No accessories should be shipped with the product. If any accessories are shipped with the product, Acclaim Lighting shall have no liability whatsoever for loss of or damage to any such accessories, nor for the safe return thereof. Acclaim reserves the right to replace the item with same or similar product at its discretion.

C. This warranty is void if the serial number has been altered or removed; if the product is modified in any manner which Acclaim concludes, after inspection, affects the reliability of the product; if the product has been repaired or serviced by anyone other than the Acclaim Lighting factory unless prior written authorization was issued to purchaser by Acclaim Lighting; if the product is damaged because not properly maintained as set forth in the instruction manual.

D. This is not a service contract, and this warranty does not include maintenance, cleaning or periodic check-up nor do we guarantee as part of this warranty any lumen performance during period. Parts not covered by this warranty include: fuses, external power supplies, third party items not manufactured by Acclaim lighting. During the period specified above, Acclaim Lighting will replace defective parts at its expense, and will absorb all expenses for warranty service and repair labor by reason of defects in material or workmanship. The sole responsibility of Acclaim Lighting under this warranty shall be limited to the repair of the product, or replacement thereof, including parts, at the sole discretion of Acclaim Lighting. At no time will installation or re-installation or products labor or liability costs will be assumed by Acclaim Lighting. All products covered by this warranty were manufactured after January 1, 2012, and bear identifying serial number marks to that effect.

E. Acclaim Lighting reserves the right to make changes in design and/or improvements upon its products without any obligation to include these changes in any products theretofore manufactured. No warranty, whether expressed or implied, is given or made with respect to any accessory supplied with products describe above. Except to the extent prohibited by applicable law, all implied warranties made by Acclaim Lighting in connection with this product, including warranties of merchantability or fitness, are limited in duration to the warranty period set forth above. And no warranties, whether expressed or implied, including warranties of merchantability or fitness, shall apply to this product after said period has expired.

F. Marine or extreme weather location applications using Acclaim lighting products are subject to a 2 year limited warranty and Acclaim must be notified prior to delivery of units for such applications so that preventative treatment can be made to the products to ensure proper performance and product life with a special marine code coating / sealing process at an additional cost.

G. The consumer's and or dealer's sole remedy shall be such repair or replacement as is expressly provide above; and under no circumstances shall Acclaim Lighting be liable for any loss or damage, direct or consequential, arising out of the use of, or inability to use, this product. This warranty is the only written warranty applicable to Acclaim Lighting products and supersedes all prior warranties and written descriptions of warranty terms and conditions heretofore published.



TM