






PROJECT FIRM ORDER # TYPE QTY





The Acclaim Lighting **AJBOX1 Extended** is an NEC-compliant high and low voltage junction box which offers DMX isolation and power surge protection within a sturdy IP66-rated aluminum alloy casing.

At a glance

 AC input 120 to 277VAC 15A maximum	 Maximum power 120VAC 1,800W 230VAC 3,450W 277VAC 4,155W	 Construction NEC compliant: physical separation of power and signal conductors	 Temperature -40° F to 122° F -40° C to 50° C	 Protection Ingress: IP66 Surge: 10kV, 5kA
---	--	--	--	--

Specifications

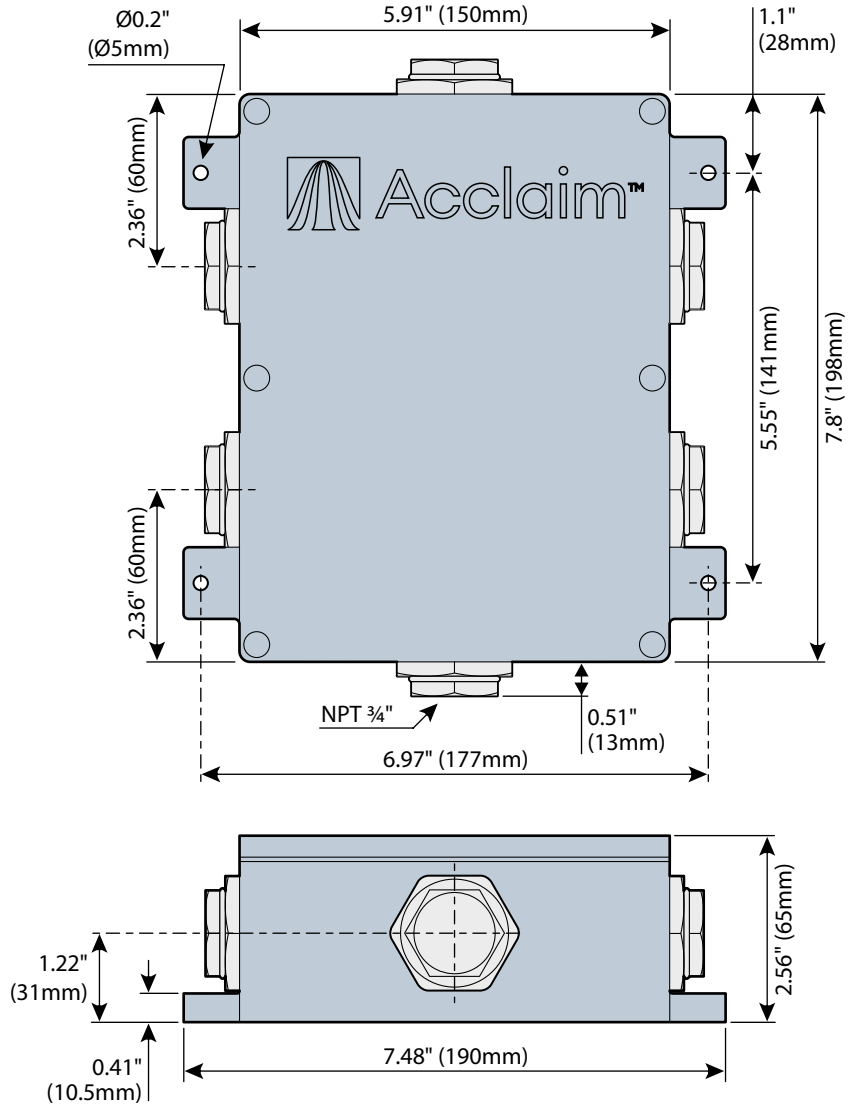
Input voltage	100-277VAC
Maximum total current	15A
Maximum line power	120VAC: 1,800W , 230VAC: 3,450W , 277VAC: 4,155W
Cable ports	Six ¾" NPT outlets with blanking plugs
Cable/connector design	NEC compliant: physical separation of power and low voltage signal conductors
Maximum conductor size	12 AWG
Internal connections	Two 3-conductor push terminals for AC connections Three 3-conductor push terminals for DMX control connections
Ingress protection	IP66 when connection points are correctly sealed by installer
Surge protection	10kV, 5kA
Material	Anodized aluminum alloy with stainless steel port inserts
Operating temperature range	-40° F to 122° F (-40° C to 50° C)
Warranty	5 years, limited
Weight	5.07 lbs (2.3 kg)
Certifications	 



Order code
AJBOX1E

PROJECT FIRM ORDER # TYPE QTY

Dimensions



Recommended data cables

By others, please consult local requirements:

- Indoor exposed or inside conduit above grade Belden 9842
- Indoor plenum Belden 82842
- Outdoor exposed, direct burial, or inside conduit below grade Belden 3107DB

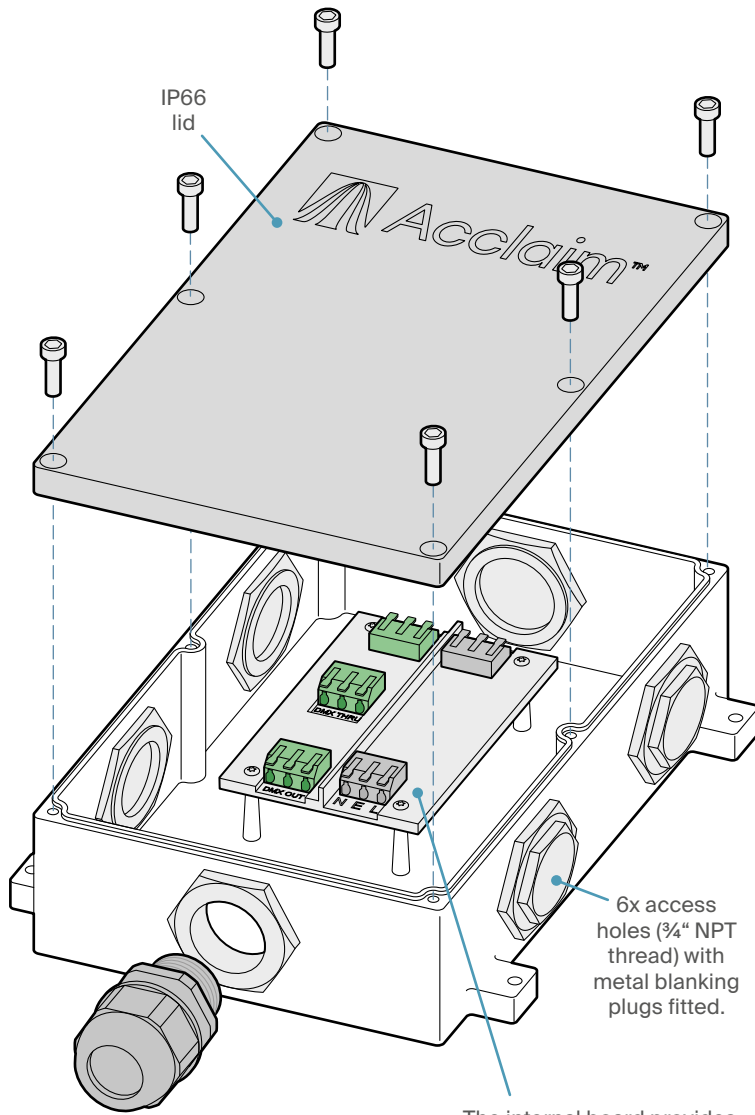
Suitable alternative cables must meet all of the following requirements:

- Construction: Shielded, twisted pair (or multi-pair).
- Impedance: Between 90 and 120Ω.
- Capacitance: 15pF or less.



PROJECT _____ FIRM _____ ORDER # _____ TYPE _____ QTY _____

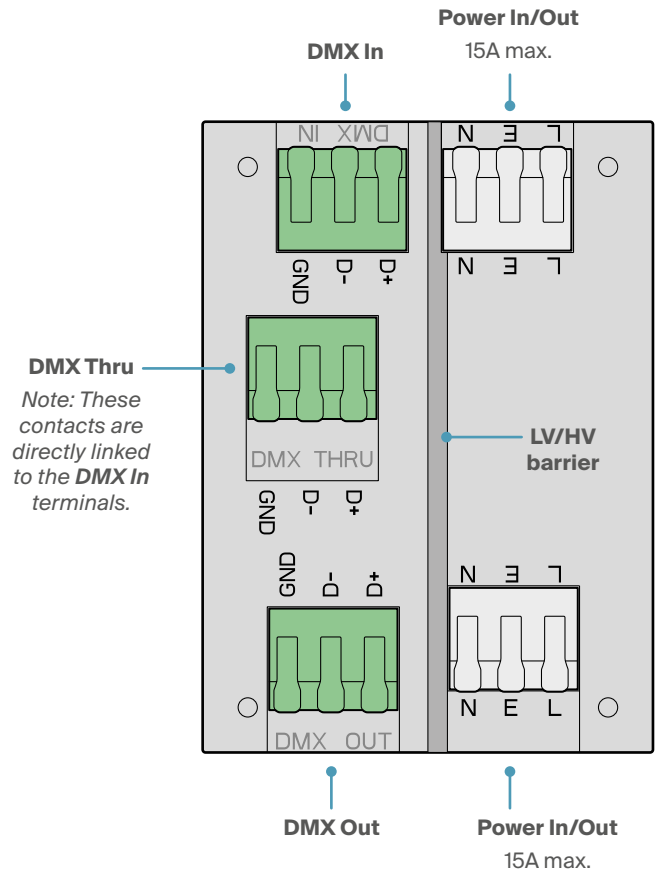
AJBOX1 Extended detail



Cable gland(s)* or conduit connector(s) (3/4" NPT thread)

* One cable gland is provided with each AJBOX1 Extended. Additional glands, such as p/n 5308 922 from Altech Corp. are available from other suppliers.

The internal board provides optical and galvanic control signal isolation together with high voltage surge protection for the mains connections.



DMX Thru
Note: These contacts are directly linked to the **DMX In** terminals.

The **DMX Out** contacts are optically and galvanically isolated from the DMX In/Thru contacts while permitting DMX signals up to a full 44 frames per second to pass. *Note: RDM is not supported.*

For full installation details, please refer to the **user guide**, available for free download here:

