

Client:

Project:

Type:

Order Code:

Quantity:

Flex Tube Pixel SE is a flexible, direct view, side emitting LED strip, that features RGB control of every 3.27" (83mm) section. It comes in a 5M spool or custom built lengths to suit project requirements, and features a highly durable PVC body which is outdoor and impact rated.

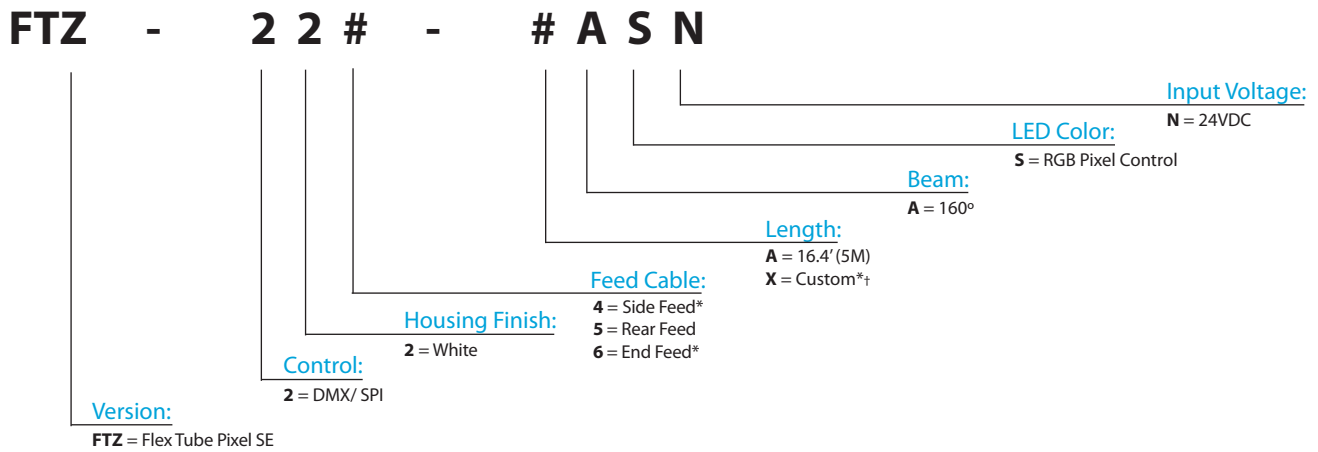
SPECIFICATIONS

Colors	RGB
Beam Angle	160°
Photometrics	90 lumens per foot (see page 4 for details)
Strip Length	16.4' (5M) spool, or built to order lengths from 3.27" to 16.4'
Control & Channel Count	0-100% dimming via DMX / SPI, 3 channels per 3.27" pixel, 180 channels per 16.4' (5M)
Sections / Pixels	Pixel distance of 3.27" (83mm), 60 RGB sections per 16.4' (5M) spool, 2.4 sections per foot
Power Consumption	5W per foot, 16.5W per meter
Operating Voltage	24VDC
Lumen Maintenance	L70 @ 50,000 hours (25° C)
Mounting	Locking aluminum mounting channel, 1.37" (35mm), 3.28' (1m), or 6.56' (2m) lengths
Finish	White
Material	PVC
Ambient Operating Temperature	-40° F to 122° F (-40° C to 50° C)
IP Rating	IP68, wet location and submersible*
IK Rating	IK08, protection against 5 joule impact
Fixture Connectors	9.84' (3M) injection molded feed cable and end cap included
Warranty	3 Years standard, 5 years optional (with additional charge), limited
Weight	7.2 lbs (3.26 kg) - 5M Spool
Dimensions	L: As specified W: 0.72" H: 0.63" / L: As specified W: 18.5 H: 16mm
Certifications	

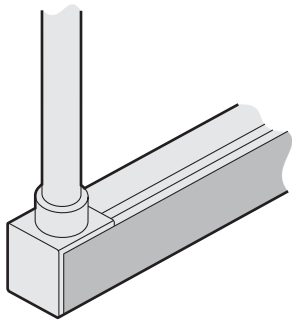
*UL approval limits submersible installation to non-human occupied and freshwater locations only. All cables must be landed in environmentally suitable junction boxes.

ORDER CODES

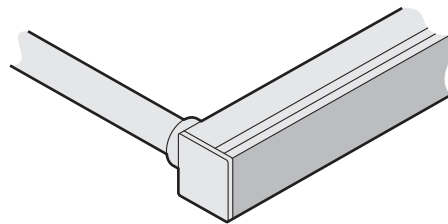
* indicates special order



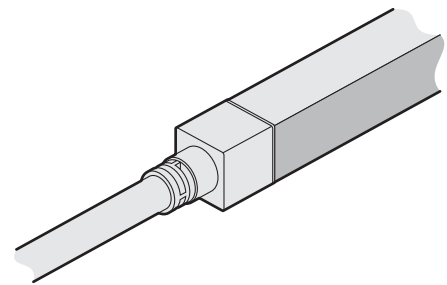
†: When ordering custom lengths, please specify number of 3.27" (83mm) sections required after X (16.4', 5M maximum).
 Example order code: **FTZ-225-X40ASN = 83mm x 40 / 3.32m spool**



FTZ-224-####, Side Feed



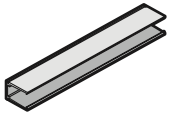
FTZ-225-####, Rear Feed



FTZ-226-####, End Feed

RELATED COMPONENTS

Mounting Accessories



FTSECH35

35mm (1.37") self lock mounting channel
Aluminum profile, includes 2 screws

FTSECH1000

1M (3.28') self lock mounting channel
Aluminum profile, includes 5 screws

FTSECH2000

2M (6.56') self lock mounting channel
Aluminum profile, includes 10 screws

Drivers (DC+DMX)



PIX001

Pixel Driver 1
12-24VDC Input, DMX input, SPI output
Controls up to one 10M (32.8') section of Flex Tube Pixel
Must be used with 24V power supply

Multiple Zone Controller



LPC

Flexible, multi-location lighting control
5,120 to 51,200 control channels
Program and pixel map via PC or Mac

Connection Accessories

All Flex Tube Pixel SE sections must have injection molded ends
No user installed feed cables or end caps are available for this product

Power Supplies (DC)



APS-300-24-IP

100-277VAC Input, 24VDC Output
Powers up to two 10M (32.8') sections of Flex Tube Pixel
Must be used with Pixel Driver 1

Single Zone Controller

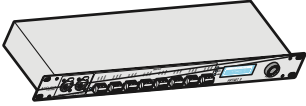


VLC

Video control for a single array / screen
25,600 to 768,000 control channels
HD video via local media files or DVI-D input

RELATED COMPONENTS

Artnet / sACN to DMX Converter



ARTNET 8

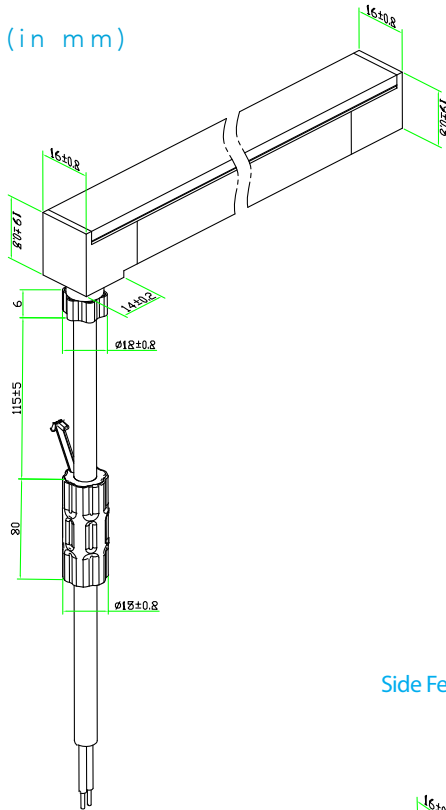
8 Universe ArtNet and sACN to DMX converter
100 - 240VAC input

PHOTOMETRICS

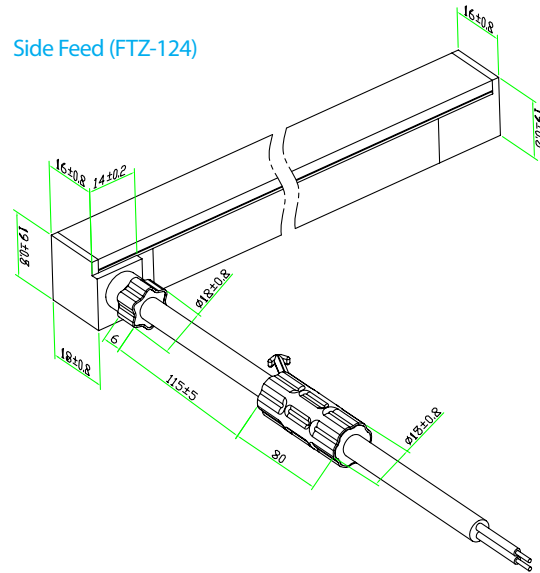
Color	Lumens (per foot)	Max Candela	CRI	Lumens per Watt
RGB	90.4	26	N/A	18

DIMENSIONS (in mm)

Rear Feed (FTZ-125)



Side Feed (FTZ-124)



End Feed (FTZ-126)

