

Client:

Project:

Type:

Order Code:

Quantity:

The **AL Graze DC CV** is a mid-range output, low profile, outdoor linear LED fixture. Available in 1' and 4' sections, it offers multiple color temperatures of white. Featuring a robust IP66 housing and linkable cable system, it is the perfect option for any structure that calls for indoor or outdoor linear grazing.

Specifications

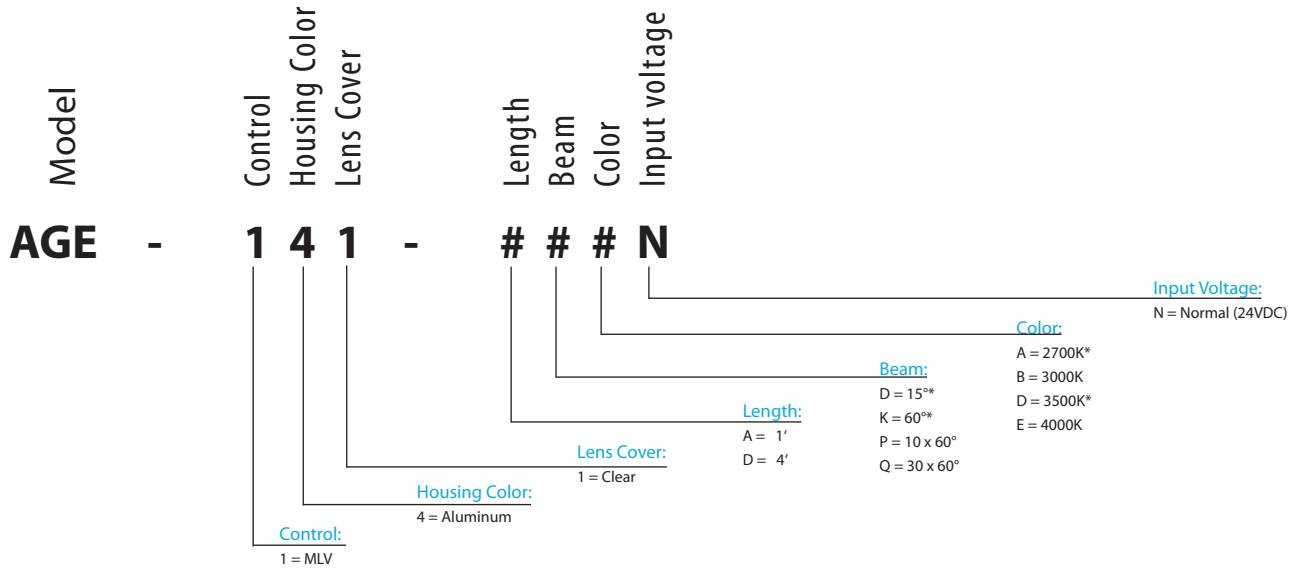
Color	2700K, 3000K, 3500K, 4000K
Beam Angle	10° x 60°, 30° x 60°, 15°, 60°
Max Fixtures In Series	12'
Total Lumens	419 per foot (4000K, 30° x 60°)
Control	MLV, DMX, 0-10V (Source Only), DALI
Mounting	30° Swivel Mount and Fixed Flat Mount Included
Power Consumption	9W (1'), 36W (4')
Operating Voltage	24VDC
Lumen Maintenance	L70 @ 150,000 Hours (25° C)
Finish	Anodized Brushed Aluminum
Housing Material	Aluminum; Glass Top Lens
Operating Temperature	-4°F to 123°F (-20°C to 50°C)
IP Rating	IP66, Wet or Dry Location
Fixture Connectors	3 Conductor IP66 Connectors, End to end jumpers attached to each fixture
Warranty	5 Years
Weight	1.25 lbs. / 0.6 kg (1'), 5 lbs / 2.3 kg (4')
Dimensions	L: 12" / 48" W: 1.5" H: 2.3" (L: 305mm / 1220mm W: 38mm H: 59mm)

Certifications

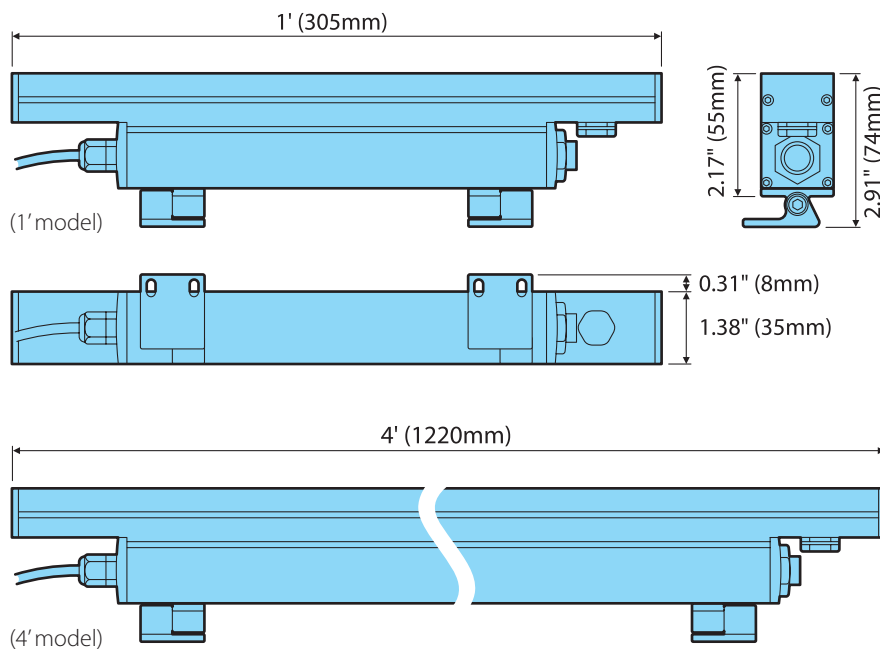


Order Codes

* Indicates Special Order

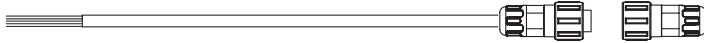


Dimensions

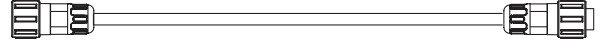


Related Components

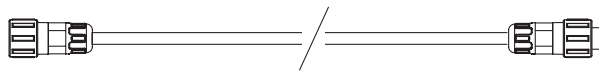
Connection Cables



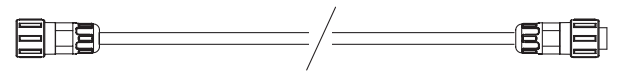
AGEFC10-V2
10' Feed Cable For AL Graze DC CV + End Cap
Powers up to 12'



AGELC1-V2
1' Link Cable for AL Graze DC CV



AGELC5-V2
5' Link Cable for AL Graze DC CV



AGELC10-V2
10' Link Cable for AL Graze DC CV



AGEEC-V2
End Cap for AL Graze DC CV

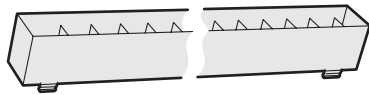
Glare Shields / Louvers/Mounting Accessories



AGS1
12" Single Sided Glare Shield for AL Graze DC

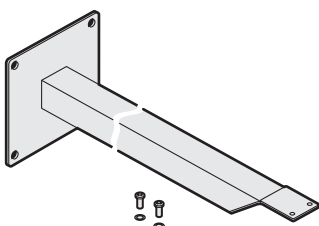


AGS4
48" Single Sided Glare Shield for AL Graze DC



AGLV12
12" Louver for AL Graze DC

AGLV48
48" Louver for AL Graze DC



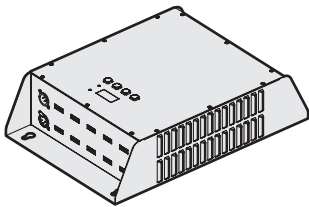
AGEB12
12" Extender Bar for AL Graze DC

AG90
90 Degree Mounting Bracket for AL Graze AC

AGEB24
24" Extender Bar for AL Graze DC

Related Components (Con't)

Power Supply (Multi-Control)



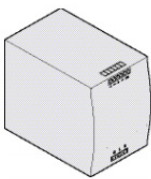
ALD-800-24; AL Driver 800 24V

Powers 7 x 12' Runs

DMX, 0-10V (Source Only), DALI Input

800W, 24VDC, Dry location, 115-277VAC (50/60Hz) Input

Power Supplies (Non-Dim)

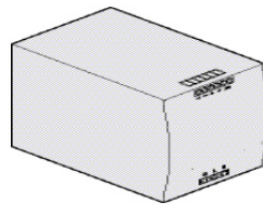


APS-240-24

Powers 2 x 12' Runs

240W, 24VDC, Dry location, DIN Rail Mount

115-230VAC (47-63Hz) Input



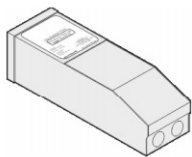
APS-480-24

Powers 4 x 12' Runs

480W, 24VDC, Dry location, DIN Rail Mount

115-230VAC (47-63Hz) Input

Power Supplies (MLV Dimming)

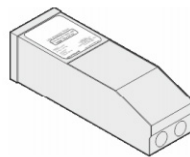


M150L24DC

Powers 1 x 12' Run

150W, 24VDC, Dry location

120VAC Input

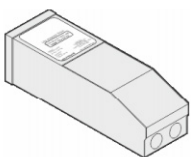


M300L24DC

Powers 2 x 12' Runs

300W, 24VDC, Dry location

120VAC Input

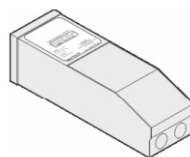


M150L24DC-277

Powers 1 x 12' Run

150W, 24VDC, Dry location

277VAC Input



M300L24DC-277

Powers 2 x 12' Runs

300W, 24VDC, Dry location

277VAC Input

Photometrics

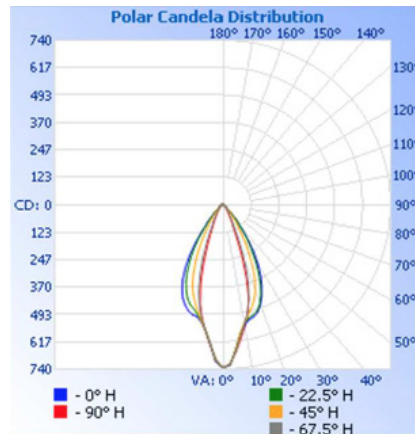
For additional color data and IES files, please visit acclaimlighting.com

4000K 30° x 60° 1'

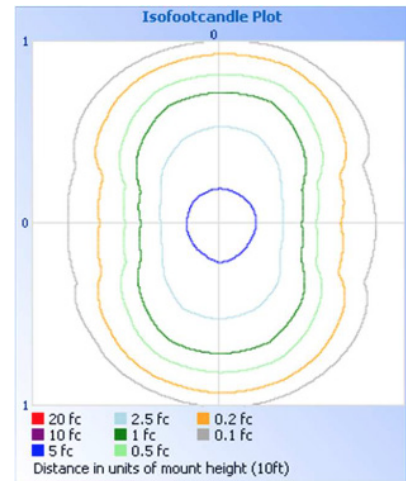
Zonal Lumen Summary

Zone	Lumens	%
0-60	404.7	98.8
60-90	5.0	1.2
90-180	0.0	0.0
Total	409.7	100

Polar Candela Distribution



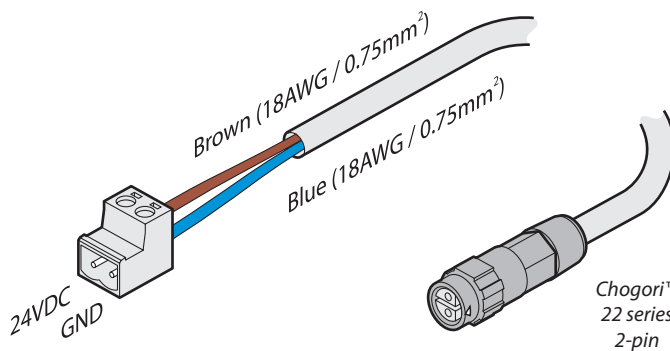
Isofootcandle Plot



Wiring

Cable Detail

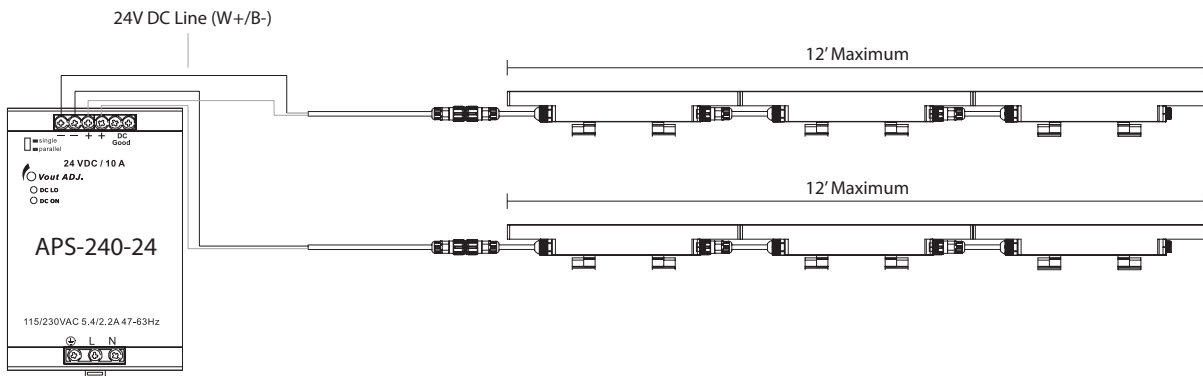
AL Graze DC CV
10' (3m)
feed-in cable
24VDC only
[Part #: AGEFC10]



(10m)

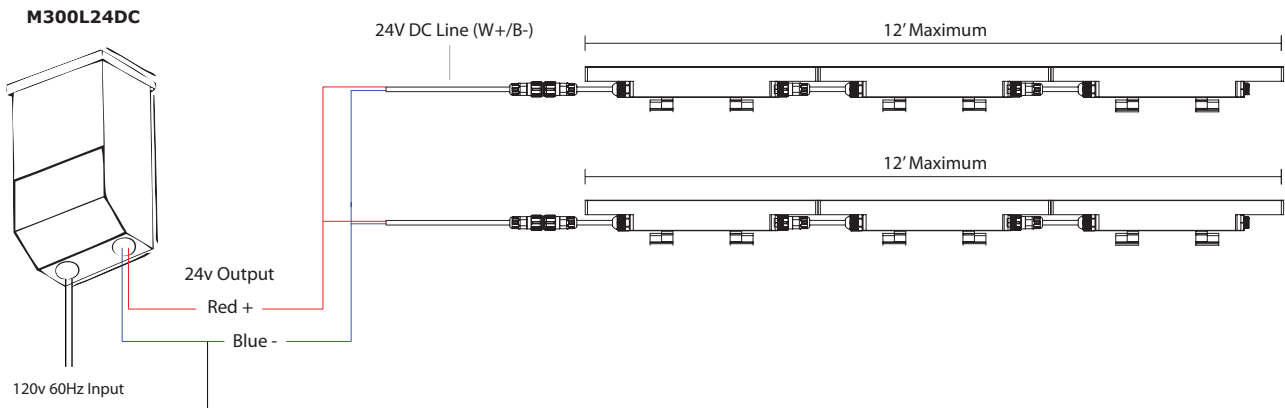
Wiring (con't)

Non-Dim



Maximum cable lengths - solid cable or higher, to be provided by others:
 18/2 : 50' to first fixture in line
 14/2 : 120' to first fixture in line
 12/2 : 200' to first fixture in line

MLV Dimming



Maximum cable lengths - solid cable or higher, to be provided by others:
 18/2 : 50' to first fixture in line
 14/2 : 120' to first fixture in line
 12/2 : 200' to first fixture in line