



X-Dimmer-1

► FEATURES

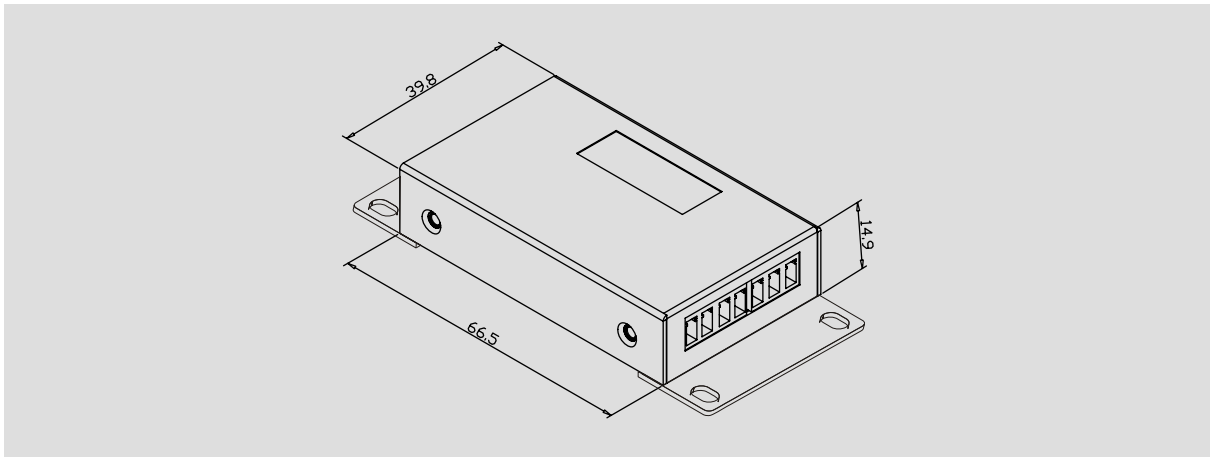
- Single channel LED dimmer
- Ideal drive for X-Chip LED modules
- Up to 6A output capacity
- Start-DMX address setting by Dip-switch
- DMX Control mode or Manual mode

► SPECIFICATION

POWER REQUIREMENT	12~24VDC, 6.5A Max.
INPUT	2-pin terminal socket for (DC power) 3-pin terminal socket for (DMX in)
OUTPUT	3-pin terminal socket for (DMX out) 4-pin terminal socket, loading max 6A
HOUSING	Sheet metal black powder finish
INGRESS PROTECTION RATING	IP20
CONTROL	DMX-512 (1990)
CONNECTION	Terminal
LISTING	CE certified
OPERATION TEMPERATURE	-10 degC to +50 degC
STORAGE TEMPERATURE	-20 degC to +70 degC
DIMENSION	67(L) x 40(W) x 15(H)mm
WEIGHT	150g

X-Dimmer-1

TECHNICAL DRAWING



SYSTEM CONNECTION DIAGRAM

