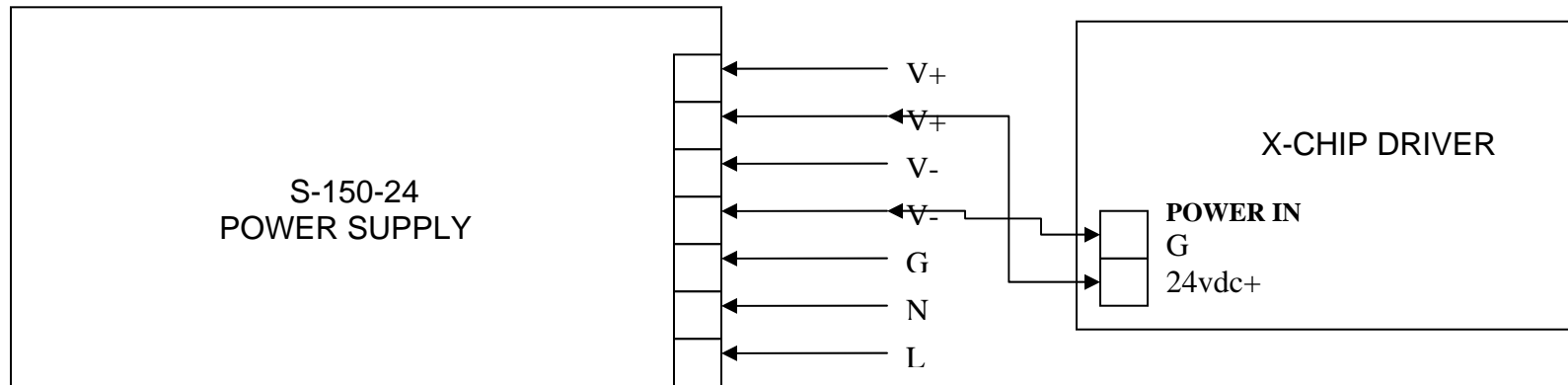


WIRING DIAGRAM

S-150-24 POWER SUPPLY TO X-CHIP DRIVER



L = POWER IN LIVE (HOT)
N = POWER IN NEUTRAL
G = POWER IN GROUND
120V OR 240V SWITCHABLE ON SIDE OF UNIT

V+ = 24V DC + OUTPUT
V- = 24V DC - OUTPUT (G)

POWER SUPPLY HAS TWO OUTPUTS FOR 24V DC IN PARALLEL - YOU CAN USE EITHER ONE OR BOTH OUTPUTS IF YOU HAVE ADDITIONAL X-CHIP DRIVERS OR OTHER 24V DC UNITS

TOTAL POWER OUTPUT OF S-150-24 IS 156W OR 6.5A CURRENT @ 24VDC

**ACCLAIM
LIGHTING**

Acclaim Lighting - Los Angeles, CA 90058
www.acclaimlighting.com

DRAWING S-150-24 TO X-CHIP DRIVER WIRING

BY AML TD